



SMART ENERGY SOLUTIONS
 E-mail: sales@smartlednc.com
www.smartlednc.com



P/N:AST-GS02B-75WWBCGDA1-abcdeW

Note:

AST= Company name

GS02B = Product series, LED Garden Light

75W = Rating Power

W= LED Driver, W= WeledPower driver

B= LED manufacturer, B=Lumileds 2835

CG = Diffuser type, CG=Clear Glass

D = Color Tunable

A1 = Version number

“a” can be any two letters for housing colors;

“b” can be “MS” or blank for Sensor provided or not;

“c” can be “S” or blank for Surge-Protective Device provided or not;

“d” can be “P” or blank for Photocell provided or not;

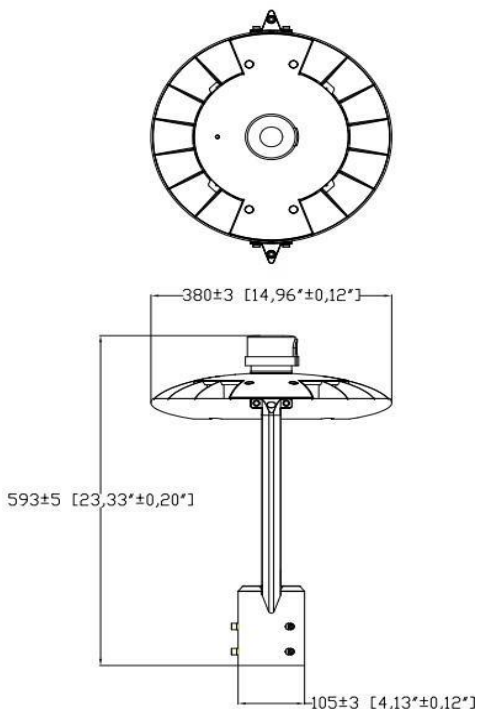
“e” can be any digits for CCT;can be

3000K/4000K/5000K

W for wattage adjustable



DIMENSIONS



ADVANTAGE

- UL cUL DLC certificate.
- IP65 driver, input voltage 120-277VAC.
- No UV or IR in the beam.
- Easy to install and operate.
- Energy saving, long lifespan.
- Light is soft and uniform, safe to eyes.
- Instant start, NO flickering,NO humming.
- Green and eco-friendly without mercury.

APPLICATION

- City Slow Lane、Narrow Lane.
- Residential Area, Plaza.
- Sightseeing Area, Village Road and so on.

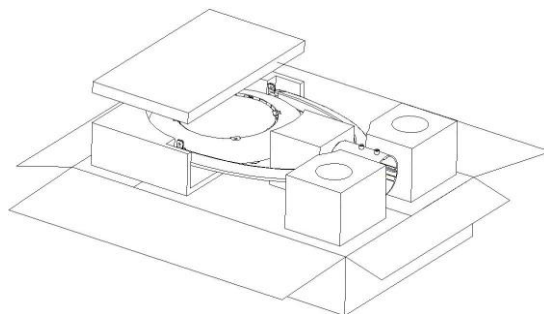
SPECIFICATIONS

OPTICAL	Input Power (Tolerance : $\pm 10\%$)	75W(Wattage Adjustable Range: 25%-100%)		
	Color Temperature (Color tunable)	3000K	4000K	5000K
	Lumen (Tolerance : $\pm 10\%$)	9225 LM	10425 LM	9750 LM
	Efficacy (Tolerance : $\pm 3\%$)	123 LM/W	139 LM/W	130 LM/W
	CRI	>80		
	Color Consistency	<7 SDCM		
	BUG	B3-U2-G1		
	Diffuser Type	Clear Glass		
Beam Angle (50%) (Tolerance : $\pm 15\%$)	115 Degree			
ELECTRICAL	Input Voltage and Frequency	120-277VAC, 50/60Hz		
	PF (Tolerance : -3%)	≥ 0.9		
	THD (Tolerance : +5%)	$\leq 20\%$		
	Flicker Percent	<5%		
	Driver Brand	WeledPower		
	Driver Model	WP-CHA-075U0441700		
	Driver Surge protection	L/N- PE: 4kV, L-N: 2kV		
	Dimming	1-10V dimming standard		
	Sensor Type	Exterior Photocell, Occupancy Sensor, Integral Sensor Receptacle		
	Optional Accessory	Photocontrol, Surge-protective Device, Motion Sensor		
MATERIALS	LED Brand	Lumileds		
	LED Type	SMD2835		
	LED QTY	420PCS		
	Housing	Die-cast aluminum		
	Housing Color	Brown, Black, or Customized		
	Waterproof Rating	WET (IP65)		
OTHERS	Operating Temperature	Without Motion Sensor: -40°C TO 50°C; With Motion Sensor: -35°C TO 50°C		
	Storage Temperature	-40°C TO 85°C		
	Operating Humidity	10% - 90% RH		
	Storage Humidity	10% - 90% RH		
	Warranty	5 years		

PACKAGE

	Size	Qty / Carton	Net Weight / Carton	Gross Weight / Carton
Outer box	730*515*180MM [28.74*20.28*7.09 inch]	1 PCS	4.5 KG [9.90 LBS]	5.6 KG [12.32 LBS]

Tolerance of Carton Size: ± 15 mm [± 0.59 inch], Tolerance of Weight: $\pm 10\%$.



LIGHT DISTRIBUTION TESTING PARAMETERS

Luminaire Property

Luminaire Manufacturer:
 Luminaire Category:
 Lamp Catalog:
 Number of Lamps:
 Luminous Length (mm):
 Luminous Height (mm):
 Current: 0.654 A
 Power Factor: 0.995

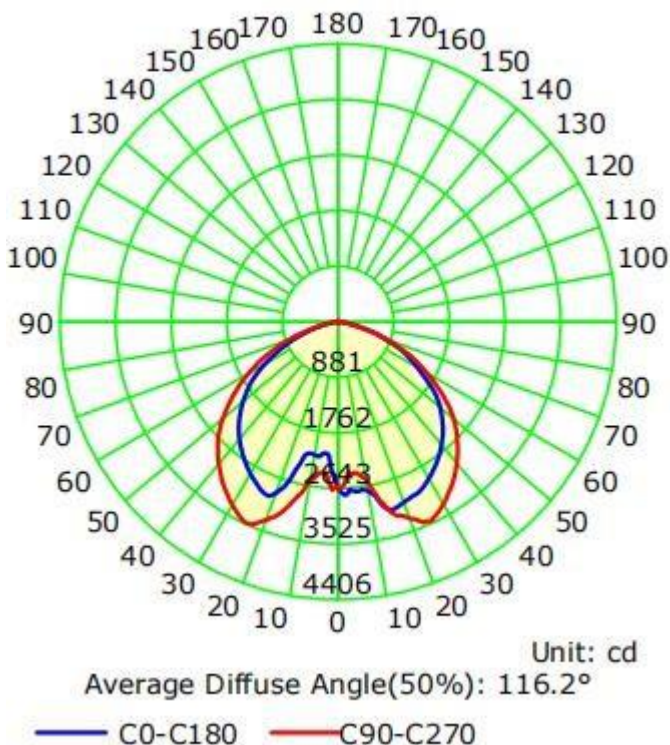
Luminaire Description:
 Lamp Description:
 Lumens per Lamp:
 Luminous Width (mm):
 Voltage: 120.0 V
 Power: 78.15 W

Photometric Results

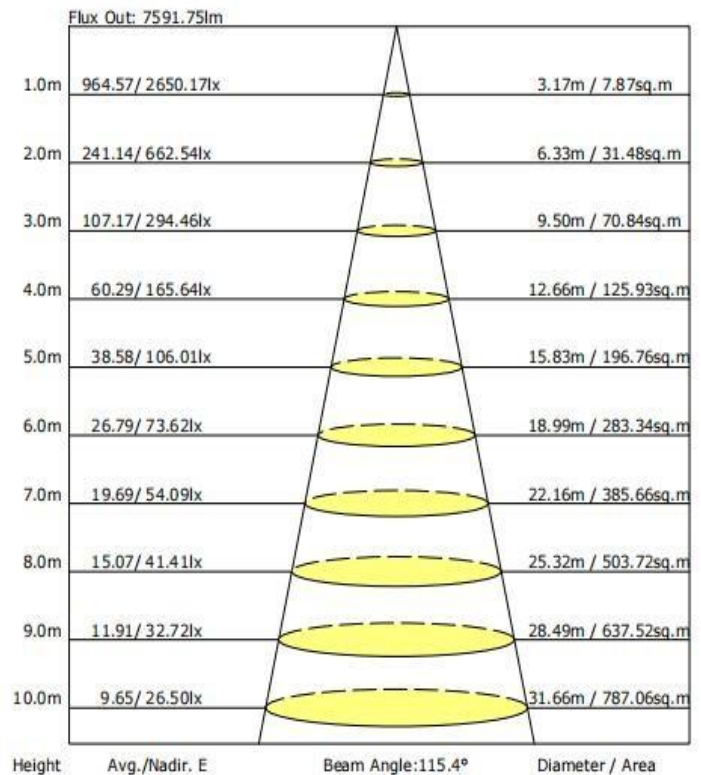
IES Classification: Type II
 Total Rated Lamp Lumens: 9661.9 lm
 Efficiency: 100%
 Upward Ratio: 1%
 C0r0 Intensity: 2650.17 cd
 Pos of Max. Intensity: H247.5 V24

Longitudinal Classification: Very Short
 Measurement Flux: 9661.9 lm
 Downward Ratio: 99%
 Luminaire Efficacy Rating (LER): 123.68
 Max. Intensity: 3525.3 cd

Luminous Intensity Distribution Curve



The Average Illuminance Effective Figure



NOTICE FOR USER

- Please turn off power before install or change assembly parts.
- The input voltage and lamps should be matched, after connecting the power line, Please make sure the wiring section is insulated.
- No-professionals, must not install and disassemble the lamps.

TROUBLE SHOOTINGS

Troubles	Check points
Flickering of the light	Turn off the power and turn on again in 3 minutes. If same phenomena occur, then call agencies.
Out of working	Please check the connection.